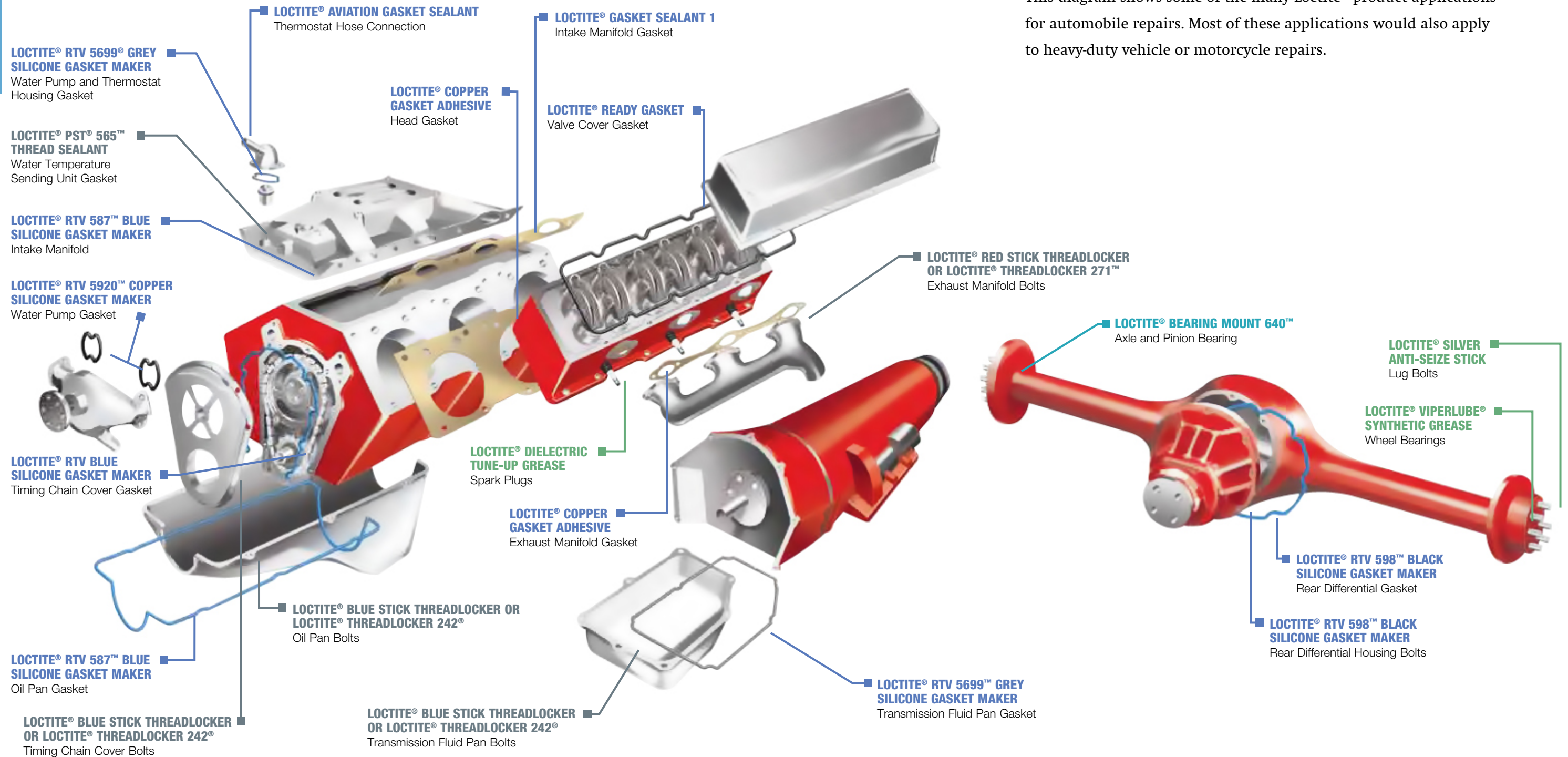


automobile engine

This diagram shows some of the many Loctite® product applications for automobile repairs. Most of these applications would also apply to heavy-duty vehicle or motorcycle repairs.



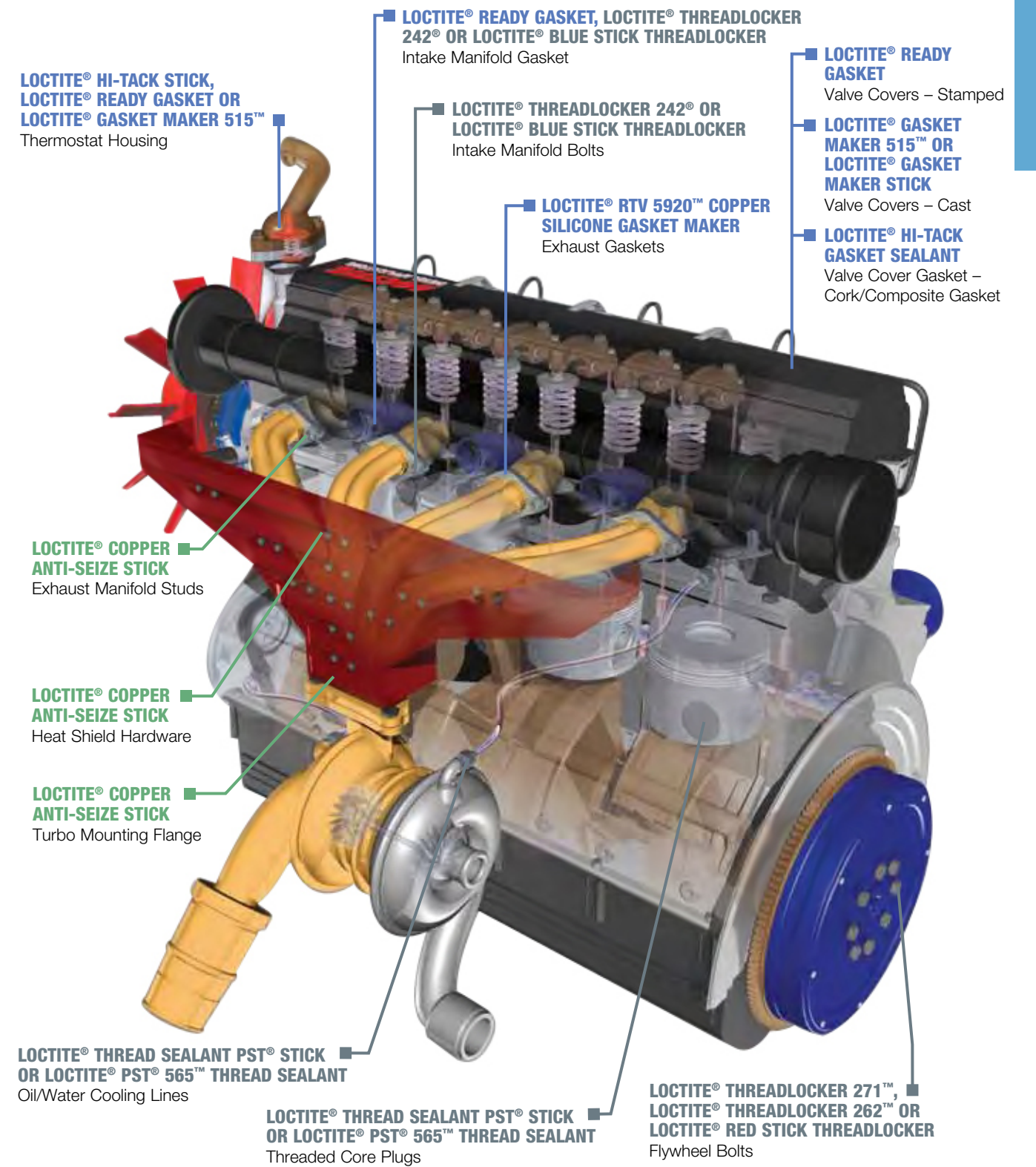
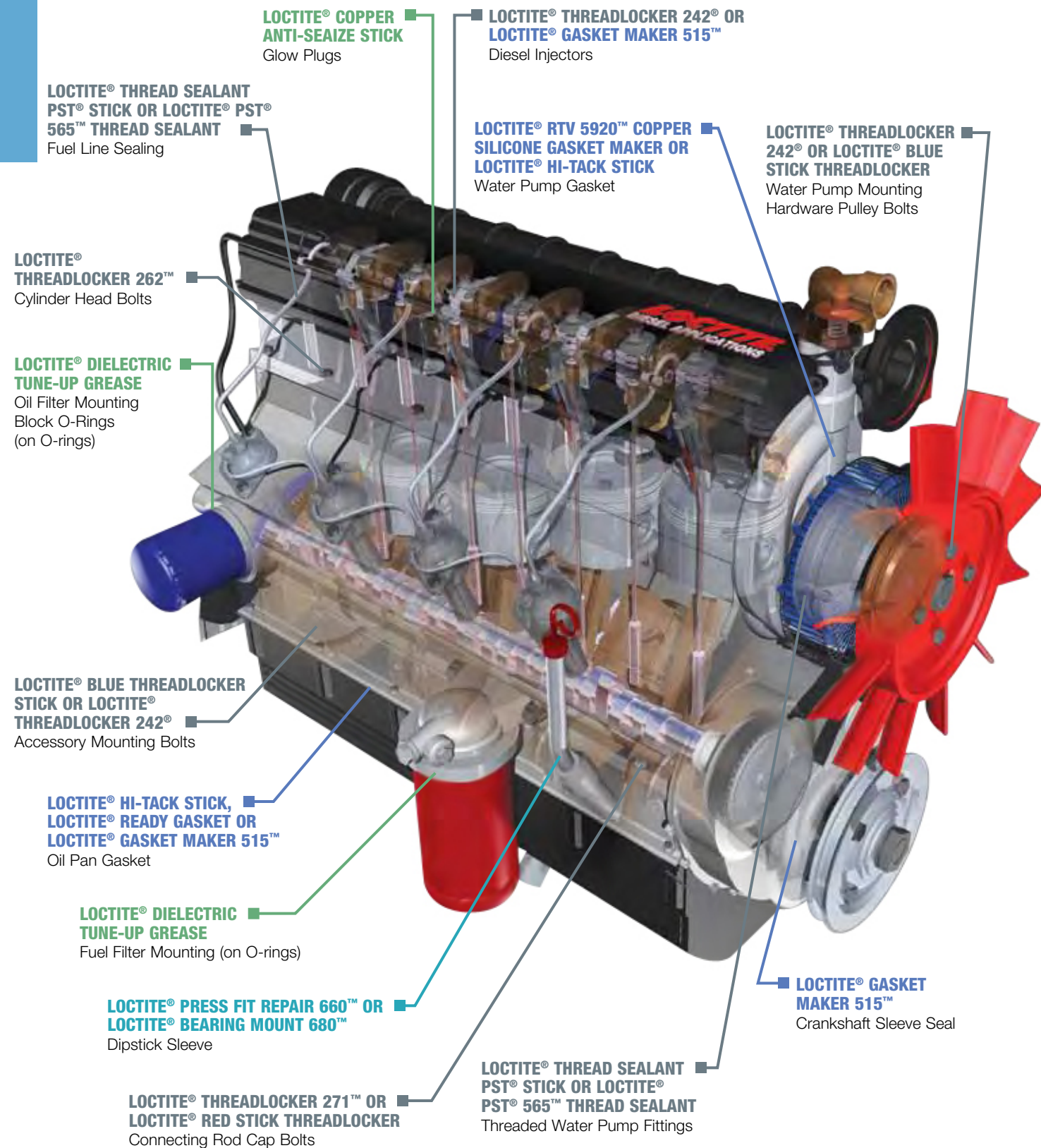
THREAD TREATMENTS

BEARING MOUNTS

GASKETING

LUBRICANTS

diesel engine



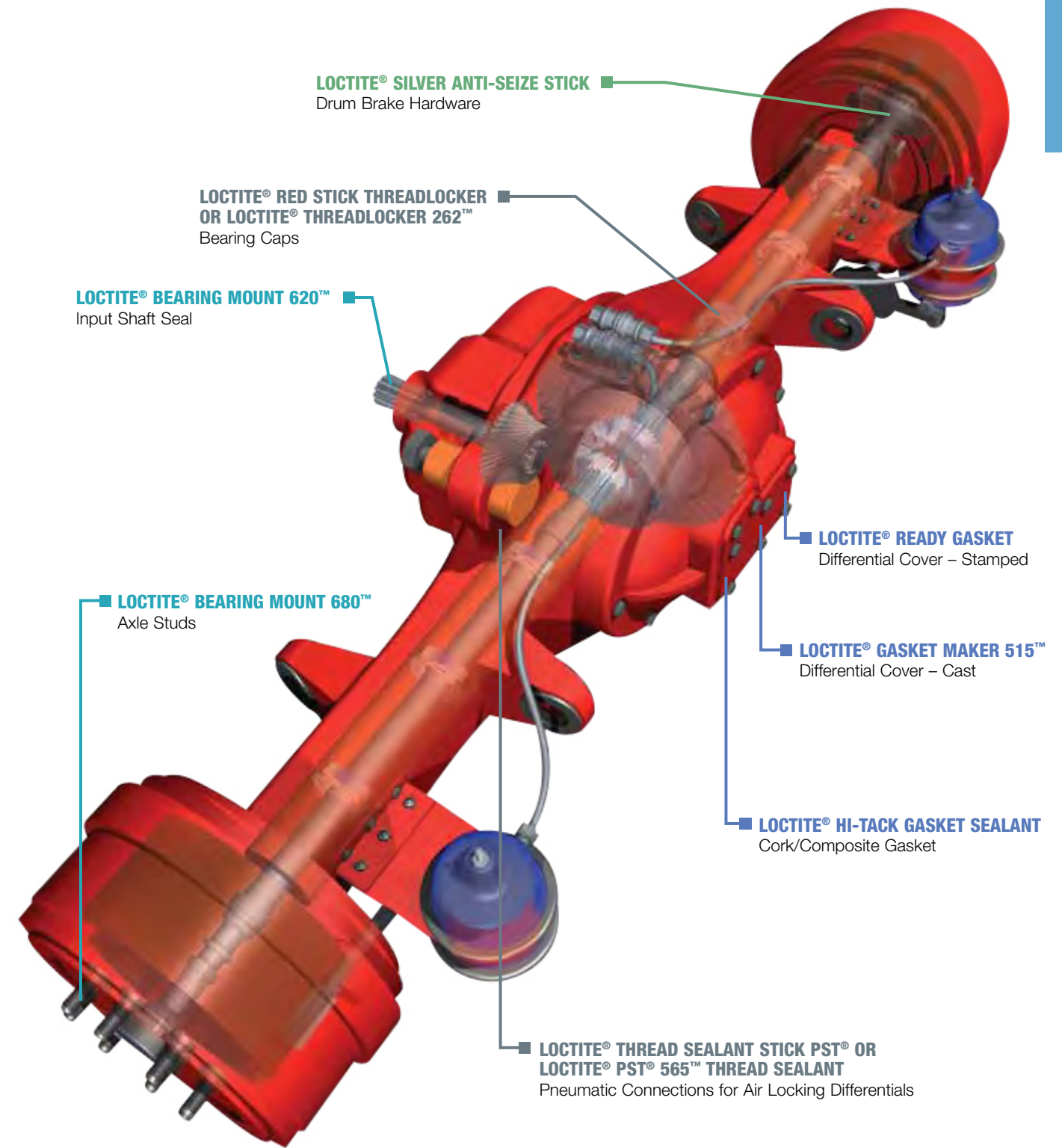
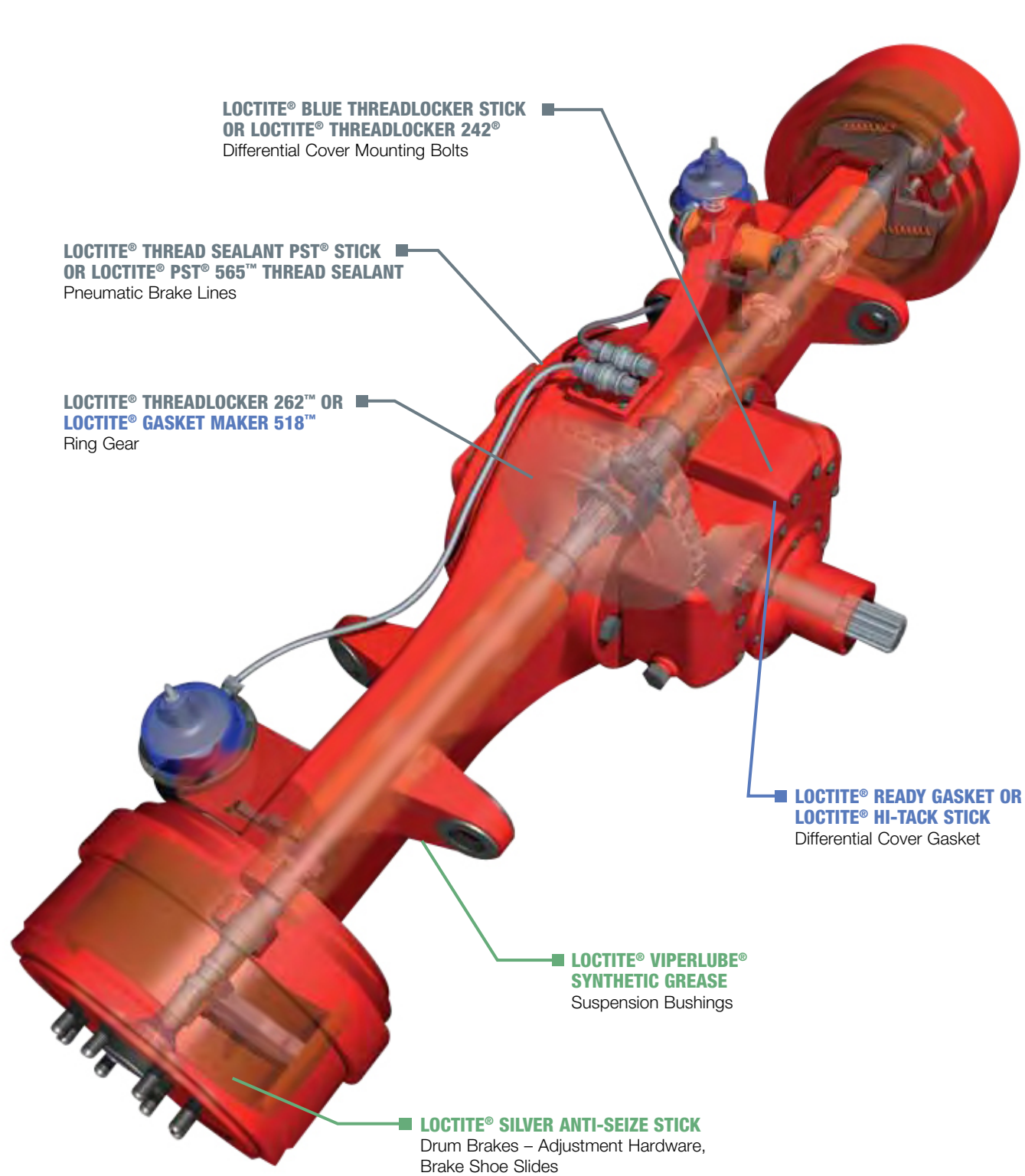
THREAD TREATMENTS

BEARING MOUNTS

GASKETING

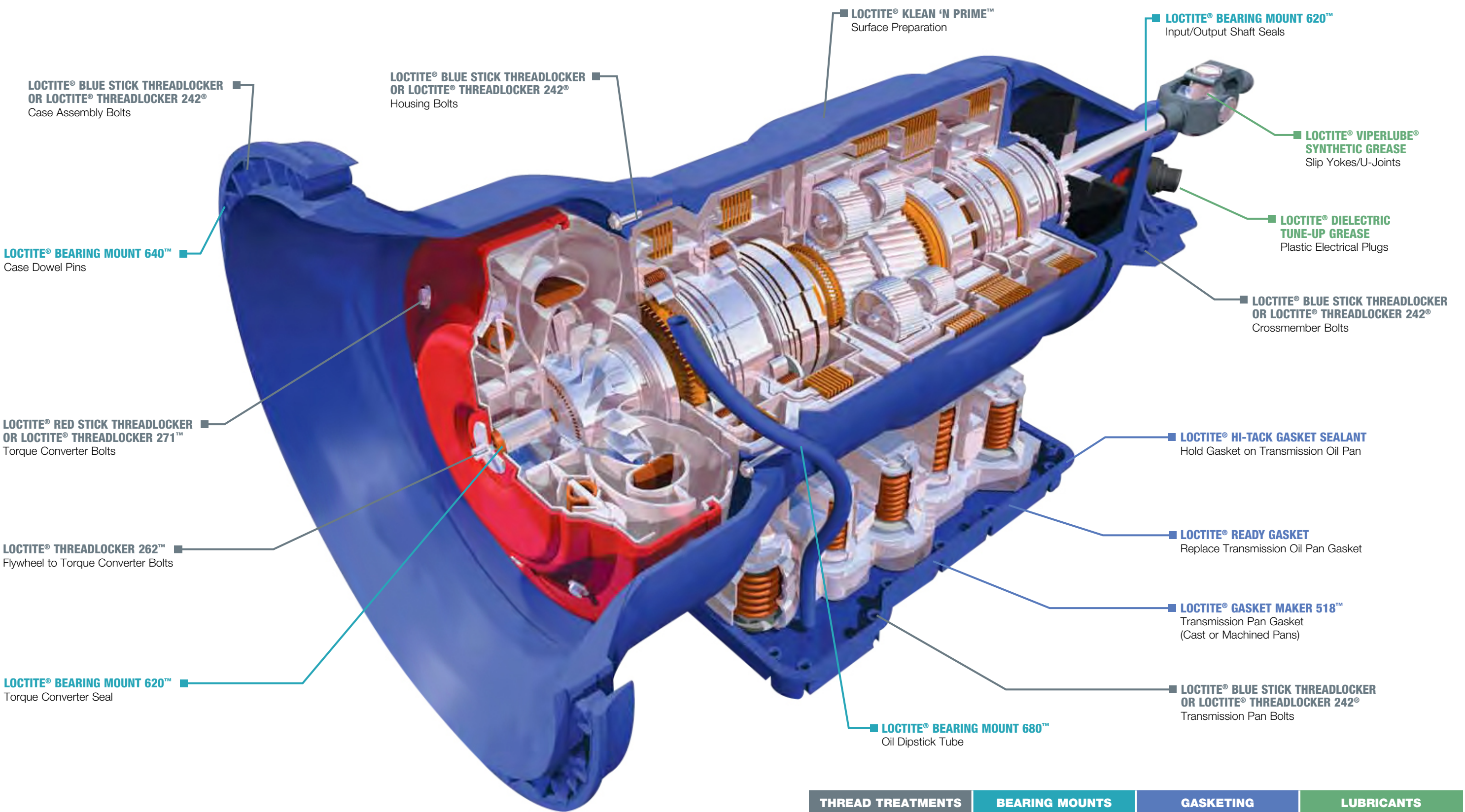
LUBRICANTS

heavy-duty differential/axle



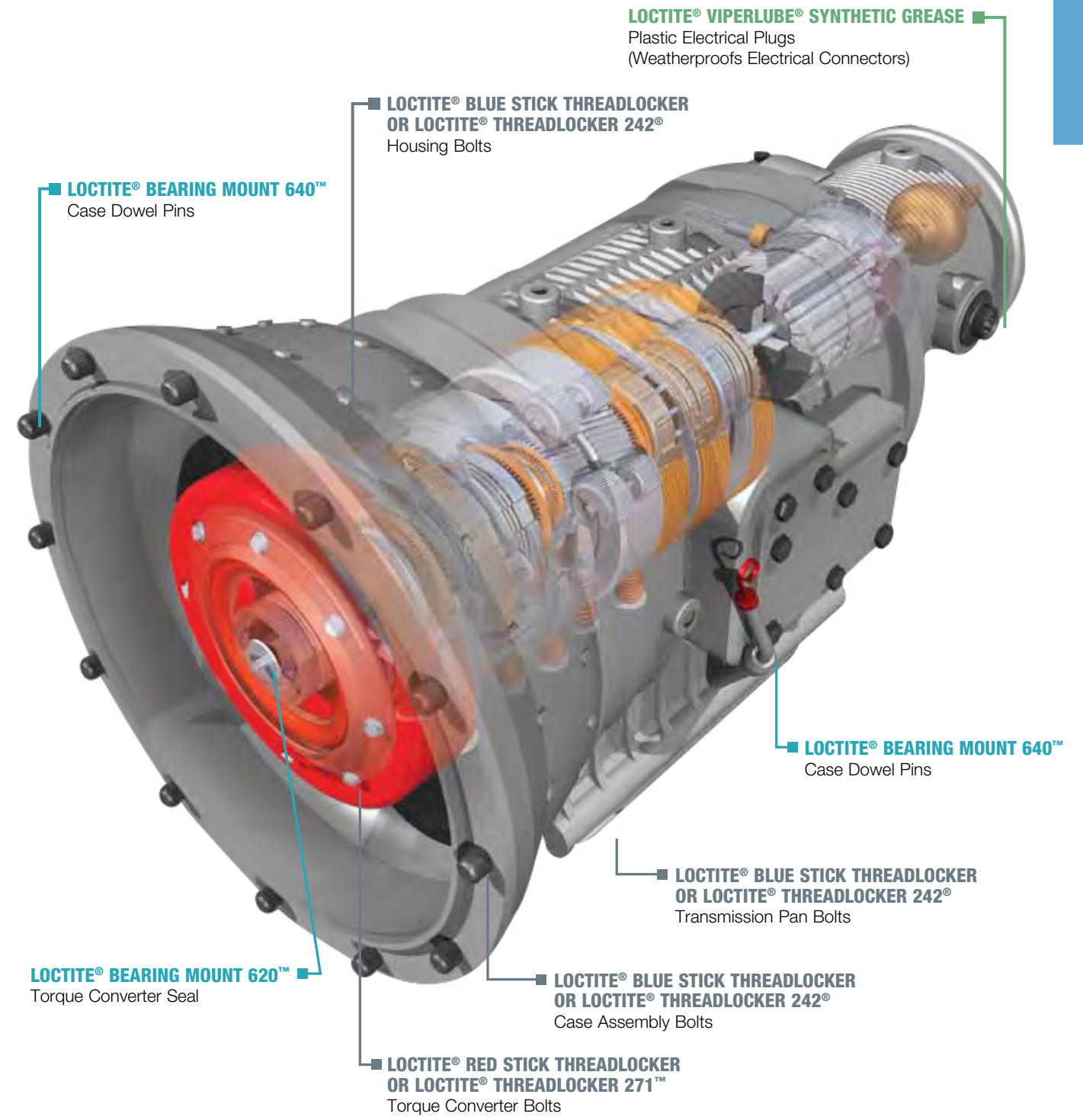
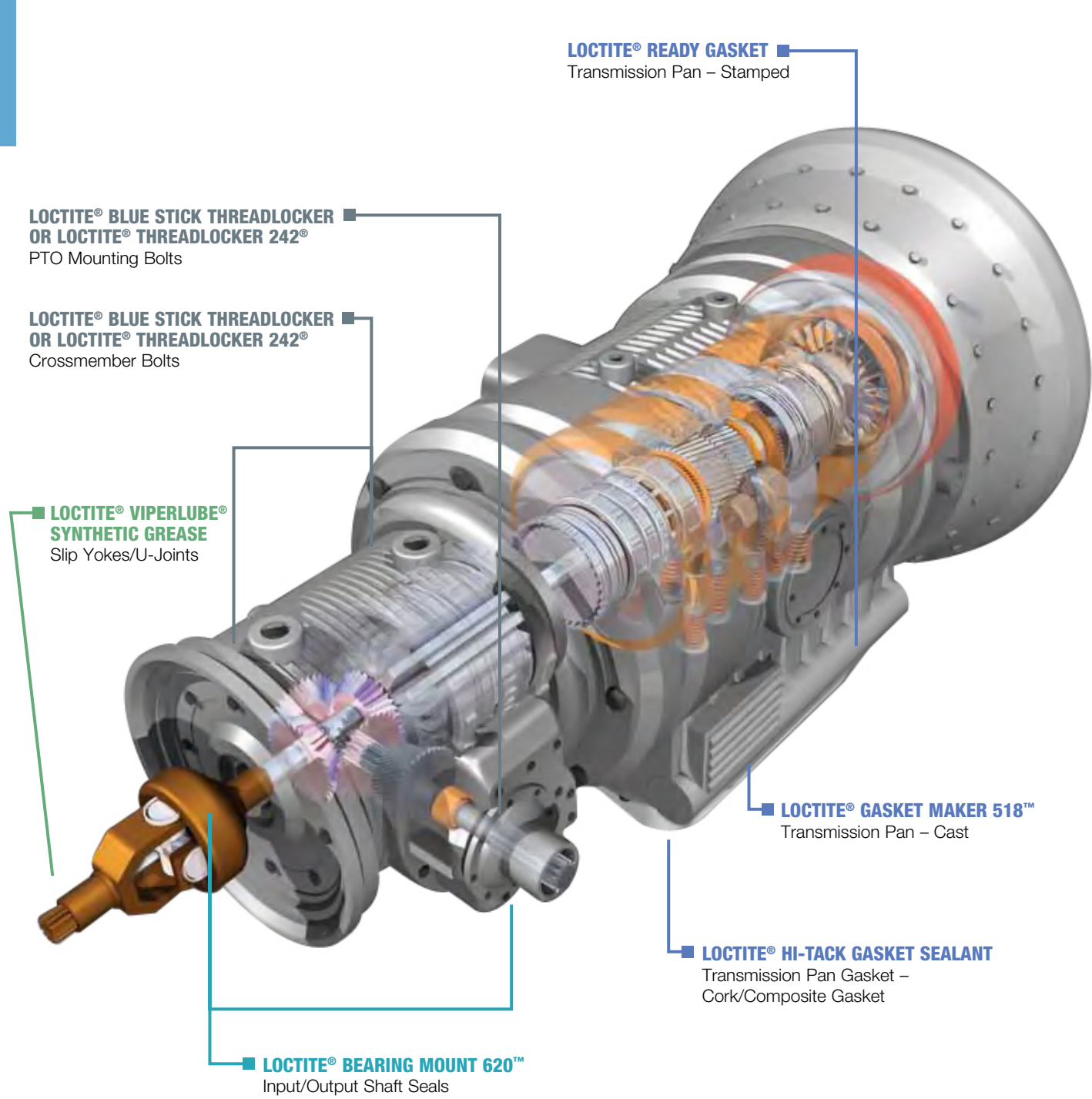
THREAD TREATMENTS	BEARING MOUNTS	GASKETING	LUBRICANTS
-------------------	----------------	-----------	------------

automobile transmission

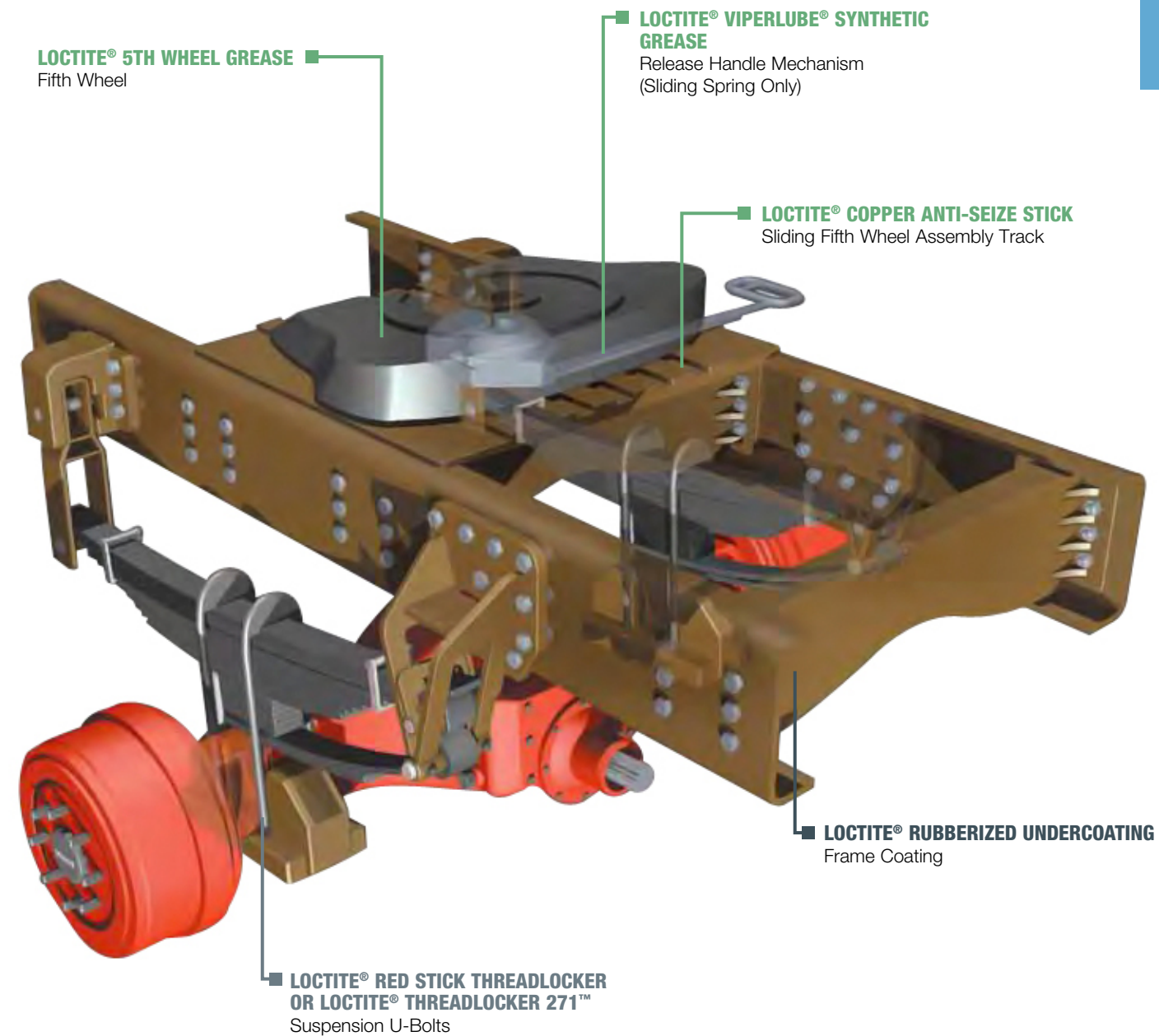
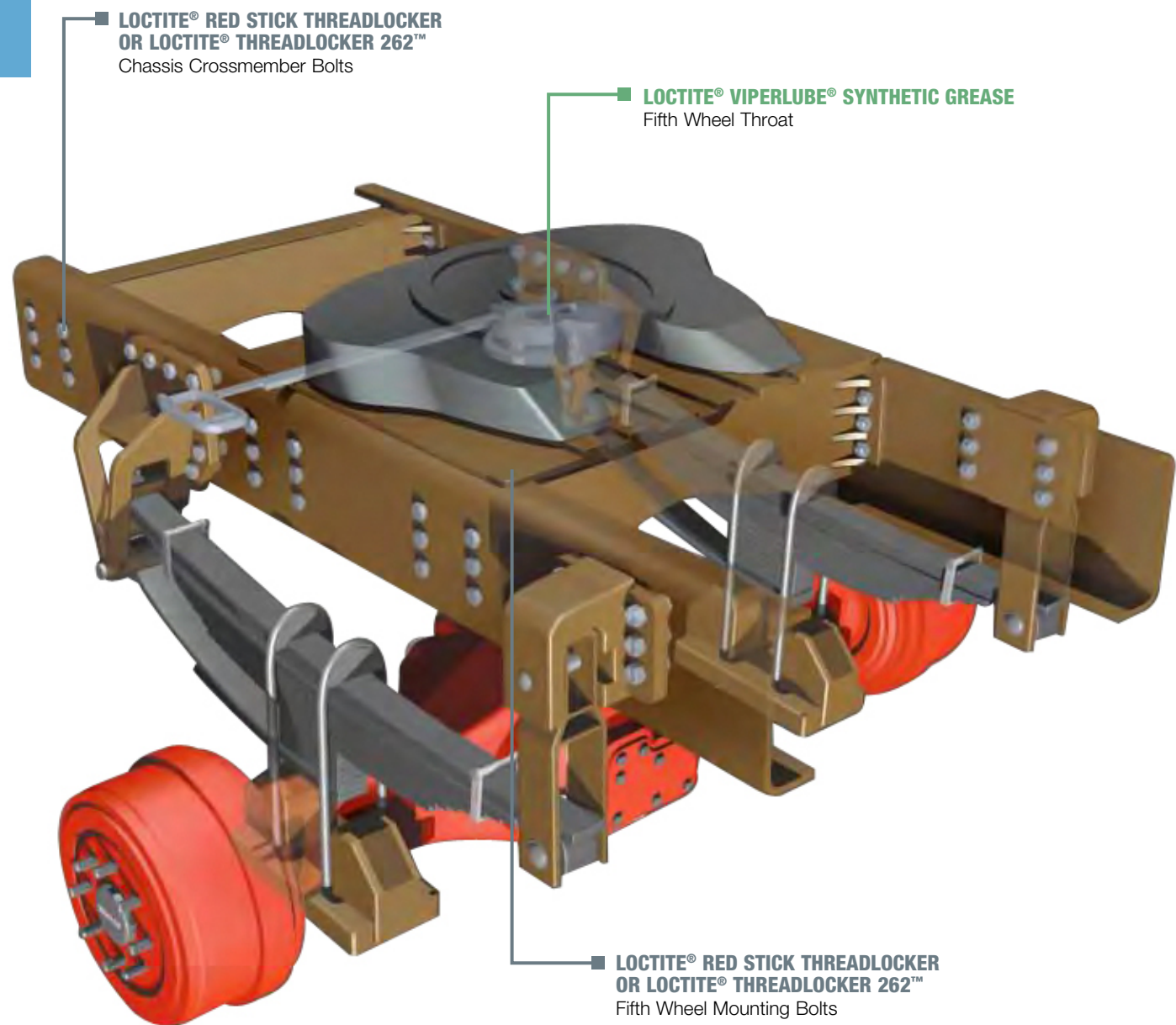


THREAD TREATMENTS	BEARING MOUNTS	GASKETING	LUBRICANTS
-------------------	----------------	-----------	------------

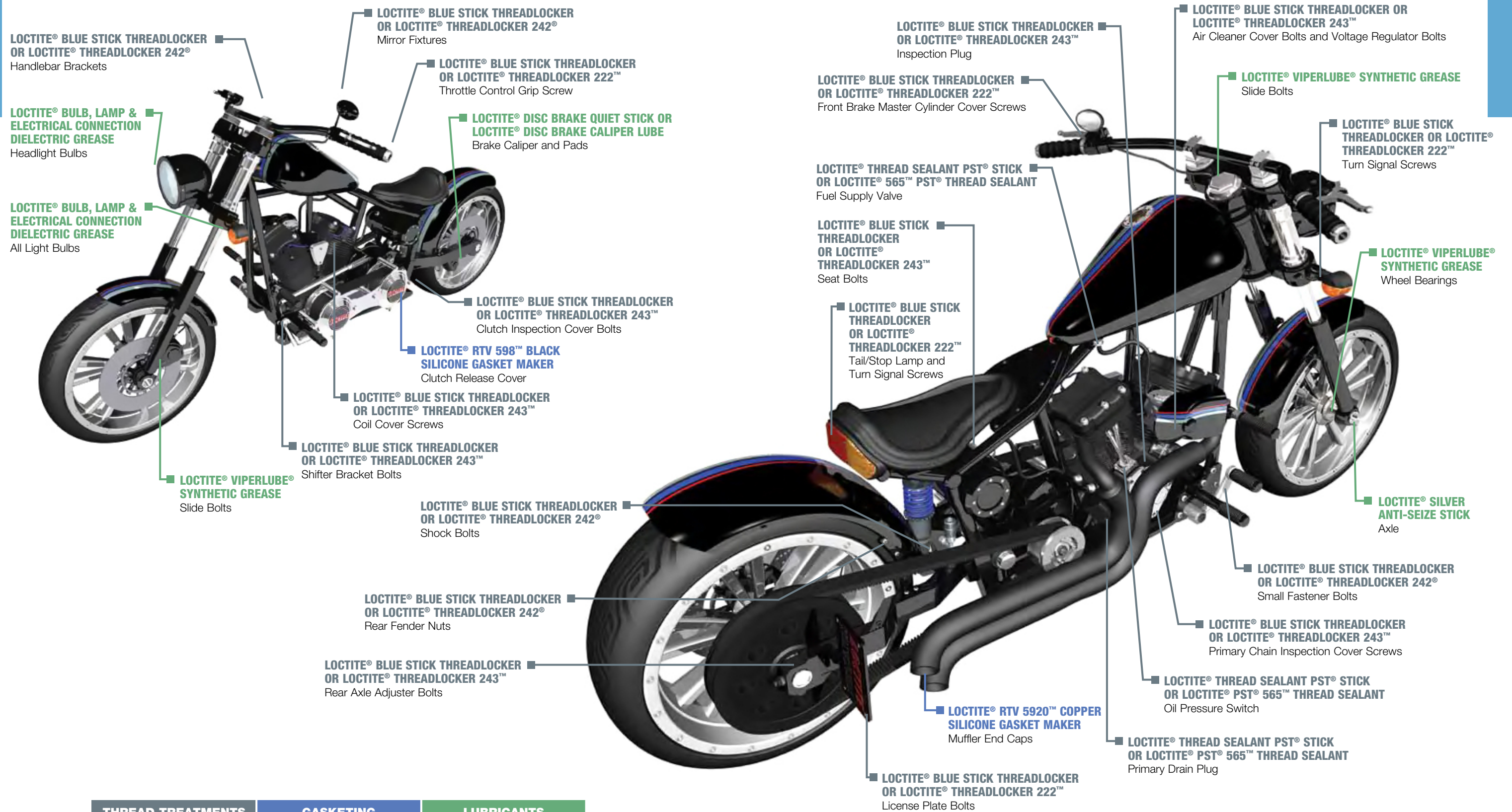
heavy-duty transmission



heavy-duty suspension



motorcycle body



motorcycle engine

LOCTITE® BLUE STICK THREADLOCKER OR LOCTITE® THREADLOCKER 243™
Exhaust Flange Nuts

LOCTITE® DIELECTRIC TUNE-UP GREASE
All Plug Wires and Electrical Connections

LOCTITE® DIELECTRIC TUNE-UP GREASE
Spark Plug Boot and Connection

LOCTITE® RED STICK THREADLOCKER OR LOCTITE® THREADLOCKER 262™
Transmission Sprocket Nut and Clutch Hand Nut

LOCTITE® THREADLOCKER 290™
Induction Module to Manifold Fasteners

LOCTITE® BLUE STICK THREADLOCKER OR LOCTITE® THREADLOCKER 243™
Rocker Cover Bolts

LOCTITE® THREAD SEALANT PST® STICK OR LOCTITE® PST® 565™ THREAD SEALANT
Oil Line Fittings

LOCTITE® SILVER ANTI-SEIZE STICK OR LOCTITE® ANTI-SEIZE LUBRICANT – SILVER
Spark Plugs

LOCTITE® GASKET MAKER 515™
Valve Cover

LOCTITE® COPPER ANTI-SEIZE STICK OR LOCTITE® ANTI-SEIZE LUBRICANT – COPPER
Exhaust Manifold Studs

LOCTITE® RED STICK THREADLOCKER OR LOCTITE® THREADLOCKER 262™
Drive Sprocket Retaining Nuts

LOCTITE® SILVER ANTI-SEIZE STICK OR LOCTITE® ANTI-SEIZE LUBRICANT – SILVER
Spark Plugs

LOCTITE® THREAD SEALANT PST® STICK OR LOCTITE® PST® 565™ THREAD SEALANT
Oil Line Fittings

LOCTITE® RED STICK THREADLOCKER OR LOCTITE® THREADLOCKER 262™
Crankcase Bolts

LOCTITE® BLUE STICK THREADLOCKER OR LOCTITE® THREADLOCKER 243™
Clutch Basket Bolts

LOCTITE® RED STICK THREADLOCKER OR LOCTITE® THREADLOCKER 271™
Compensating Sprocket Nut

LOCTITE® THREAD SEALANT PST® STICK OR LOCTITE® PST® 565™ THREAD SEALANT
Timing Plugs and All Drain Plugs
(Oil, Primary and Transmission Are Not Shown)

LOCTITE® BLUE STICK THREADLOCKER OR LOCTITE® THREADLOCKER 243™
Primary Drive Retainer Bolts

THREAD TREATMENTS

GASKETING

LUBRICANTS